



Project \_\_\_\_\_  
 Item # \_\_\_\_\_  
 Quantity \_\_\_\_\_

# KATTEX™

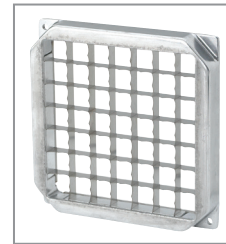
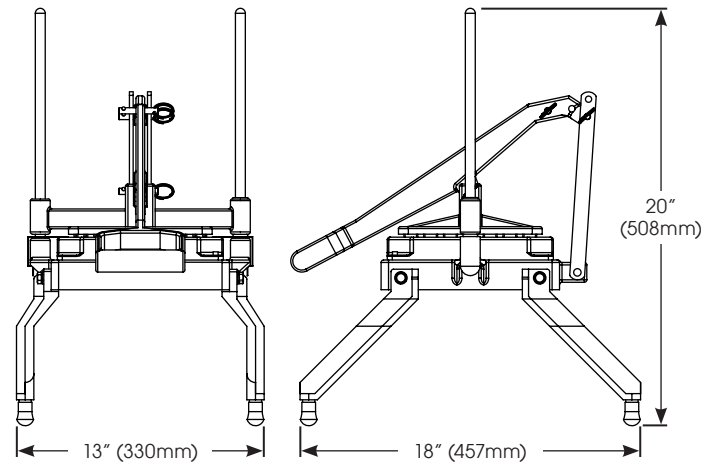
## Quick Slice Lettuce Cutter

Model: TLC-1

Cut multiple heads of crisp, fresh lettuce in seconds with the Kattex Lettuce Cutter. Features interlocking scalloped pretensioned blades to cut 1" squares of cored lettuce without bruising and browning.

### Standard Features

- ◆ Aluminum frame with easy-grip handle and stainless steel blade with 49 square cuts
- ◆ Cuts lettuce into 1" x 1" slices in less than 1 minute
- ◆ Field convertible into 1"x2" cut for Romaine lettuce
- ◆ Rubber feet prevent slipping/scratching on work surface
- ◆ 7" x 7" cutting area
- ◆ NSF listed



TLC-1-B

### Parts & Accessories

- TLC-1-B Replacement Blade for TLC-1
- KAT-FT 4-Pc Replacement Feet Set
- KAT-BS-OT 4-Pc Replacement Bushings
- PLK-11G Lettuce Knife
- KAT-WR Dual-Sided Wrench

MODEL	DESCRIPTION	OVERALL DIMENSIONS			BOX DIMENSIONS			SHIP WEIGHT
		LENGTH	DEPTH	HEIGHT	LENGTH	DEPTH	HEIGHT	
TLC-1	Lettuce Cutter	13" (330mm)	18" (457mm)	20" (508mm)	12-1/4" (310mm)	12-1/4" (310mm)	14-13/16" (375mm)	17.79 lbs (8.06 kg)

### Product Specs

#### Quick Slice Lettuce Cutter

The Quick Slice Lettuce Cutter model TLC-1 as manufactured by Winco®, Lodi, NJ 07644.

The Quick Slice Lettuce Cutter shall be constructed of aluminum frame with easy-grip handle and stainless steel blade with 7" x 7" cutting area of 49 square cuts that cuts lettuce into 1" x 1" slices in less than 1 minute. Units are equipped with rubber feet prevent slipping/scratching on work surface. Units are NSF listed.

#### For California Customers

**WARNING:** Cancer and Reproductive Harm - [www.P65Warnings.ca.gov](http://www.P65Warnings.ca.gov)

Winco®, DWL International Trading, LLC

[www.wincous.com](http://www.wincous.com) | [equipsales@wincous.com](mailto:equipsales@wincous.com)

New Jersey Headquarters:  
 65 Industrial Road, Lodi, NJ 07644  
 Tel. 1.888.946.2682 | Fax: 1.888.946.2632

California Distribution Center  
 14950-14952 Valley View Avenue, La Mirada, CA 90638  
 Tel. 1.888.946.2652 | Fax: 1.562.926.5678

Florida Distribution Center  
 10800 NW 103rd St. Bldg 22, Ste 11, Miami, FL 33178  
 Tel. 1.786.536.4656