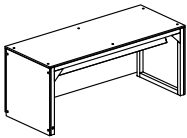
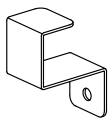


Parts List

(1) 1 pc



(2) 4 pcs

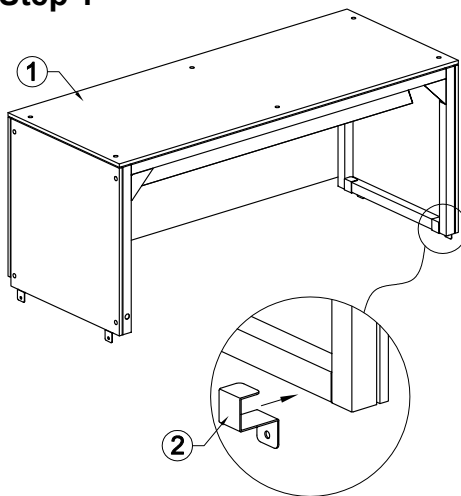


(3) 4 pcs

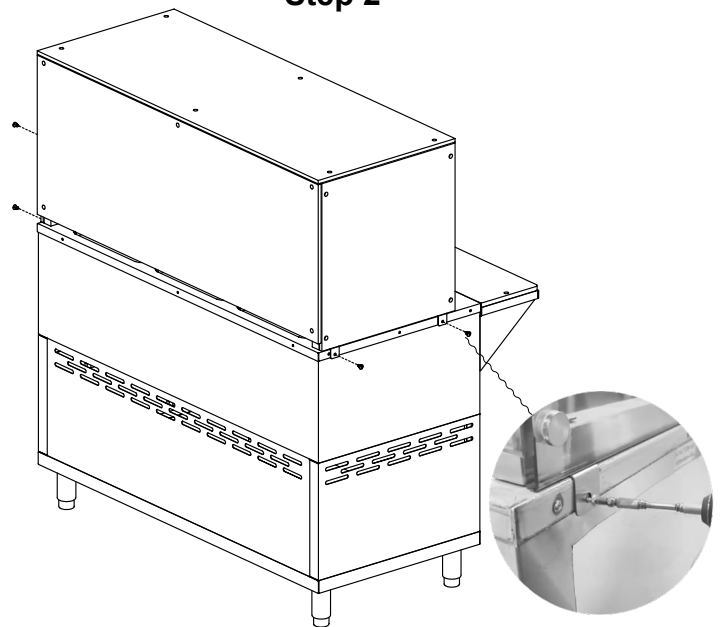


M5*12 Screw

Step 1



Step 2



Step 1: Attach the (4) brackets to the bottom tube of the sneeze guard.

Step 2: Position the sneeze guard onto the steam table / refrigerator base and securely fasten the brackets to the base using screws. (Installer needs to pre-drill 1/7" diameter screw holes.)