



PROJECT: _____
 LOCATION: _____
 ITEM#: _____
 QUANTITY: _____

COMPETITOR SERIES®



C-C01-NG/LP



****With optional stacking kit**

CONVECTION OVENS

- Stainless steel exterior and enamel interior with coved corners for easy cleaning
- 50/50 dependent doors with double pane thermal tempered glass
- Size accommodates (5) 18" x 26" standard full-size baking pans left to right or front to back
- Solid state digital controller with hold cooking temperature feature
- Temperature range: 150°F to 500°F
- Interior oven light standard
- 46,000 BTU's per oven
- Dual speed-fan with an adjustable cooling mode and (5) nickel plated oven racks on 13-position rack guides
- Fan delay switch when doors are opened
- Electronic spark ignition with an automatic pilot system safety shut off switch
- 3/4" NPT rear gas connection and regulator
- Nema 5-15 plug for controller
- Migali Industries® Protection Plan: 1 Year Parts & Labor Warranty

MODEL	BURNERS	GAS SPECS	SHELVES	RACK GUIDES	TOTAL BTU	PER BURNER	IN TAKE TUBE PRESSURE (W.C.)	AMPS	VOLTAGE	EXTERIOR DIMENSIONS W X D X H	INTERIOR DIMENSIONS W X D X H	PACKAGED DIMENSIONS W X D X H	WEIGHT	PACKAGED WEIGHT
C-C01-NG	2	NG	5	13	46,000	23,000	5	8.5	115/60/1	38.2" x 48.7" x 59.4"	29" x 24" x 27.7"	41.4" x 52.4" x 41.5"	488 lbs.	616 lbs.
C-C01-LP	2	LP	5	13	46,000	23,000	5	8.5	115/60/1	38.2" x 48.7" x 59.4"	29" x 24" x 27.7"	41.4" x 52.4" x 41.5"	488 lbs.	616 lbs.

**Stacking Kit: Part# 1759-1586, only stack (2) high

*MIGALI RESERVES THE RIGHT TO CHANGE SPECIFICATIONS WITHOUT NOTICE



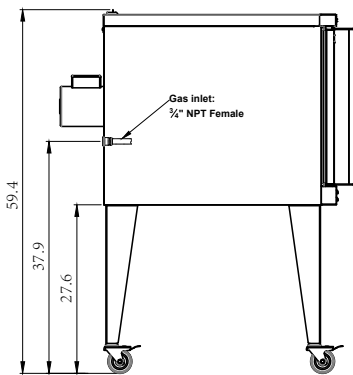
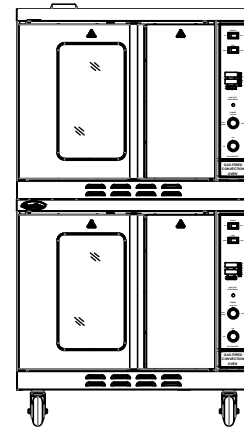
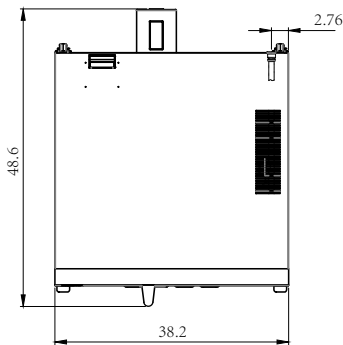
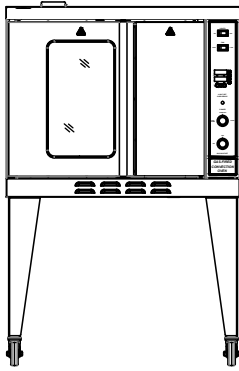
TOLL FREE: 800.852.5292
 WEB: www.migali.com



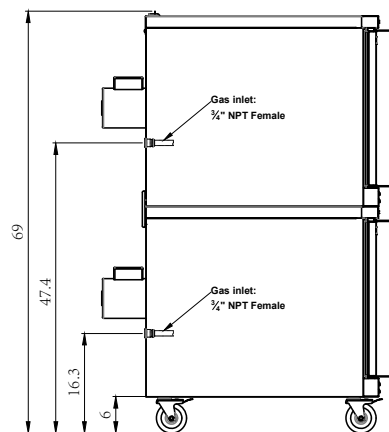
Conforms to ANSI STD Z83
 11a-2009 (2011), NSF/ANSI STD 4
 & CSA STD 1.4B-2009(2011)

DIMENSIONAL DRAWINGS

C-C01-NG/LP



SIDE VIEW



SIDE VIEW



MIGALI® REMAINS AN AMERICAN FAMILY COMPANY SINCE 1955