



15" x 15" x 5" Drop In Sink

Drop In Sinks



Use your smart phone to scan the above QR code to visit our website:
www.bk-resources.com

Certifications:



Shown as BK-DIS-1515

Features:

- Includes BKDR-4 Drain
- Faucet Holes 4" O.C.

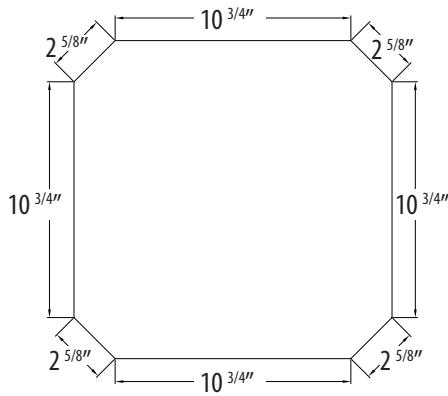
Material:

- T-304 20 ga. Stainless Steel

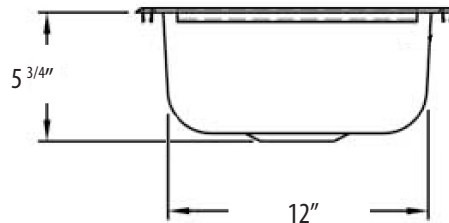
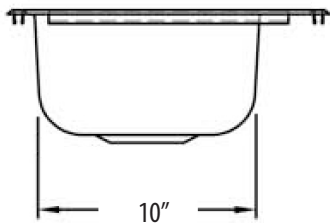
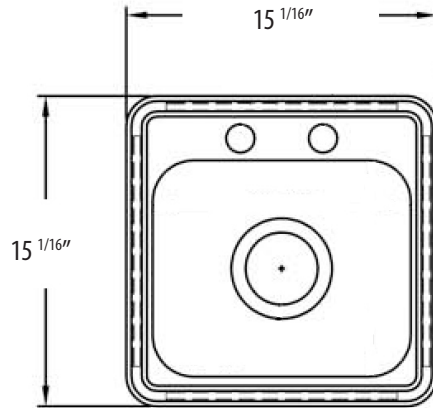
Options:

- Upgrade to Heavy Duty Faucets
- Wrist Blades
- "-P-G" Includes BKD-3G-G Lead-Free Faucet

Part Number	Unit Size (l x w x d)	Bowl Size (l x w x d)	Included Faucet	Recommended Cutout Size (l x w)	Product Weight (lbs)
BK-DIS-1515	15 1/16" x 15 1/16" x 5 3/4"	12" x 10" x 5 3/4"	-	14 9/16" x 14 9/16" with 1 1/2" RA at corners of cutout	5.75
BK-DIS-1515-P-G	15 1/16" x 15 1/16" x 5 3/4"	12" x 10" x 5 3/4"	BKD-3G-G	14 9/16" x 14 9/16" with 1 1/2" RA at corners of cutout	7.25



Cutout Template (Not to Scale)



PRODUCT DATA SHEET

BK RESOURCES

