



Antimicrobial Hand Sinks

Hand Sinks



APHS-W1410-BE



APHS-W1410-1BSEF

Features:

- Integral baffles offer extra rigidity and support
- Textured finish resists scratches and abrasions
- 100% Recyclable

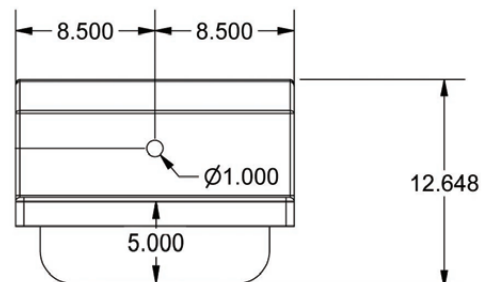
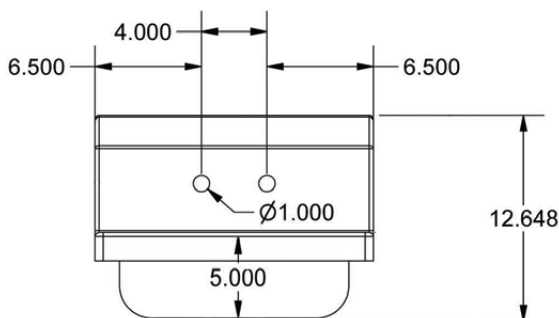
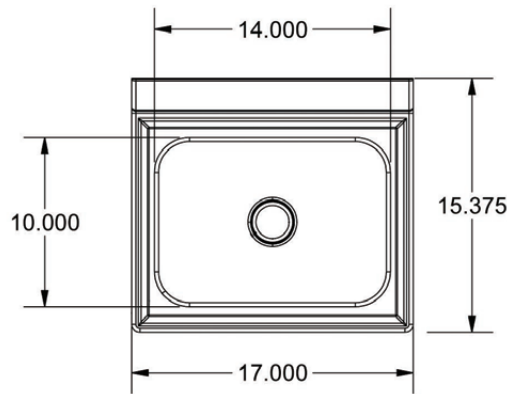
Material:

- Polypropylene
- Infused with an Inorganic Antimicrobial Agent

APHS-W1410-WBBE is our full packaged kit that includes:

- Evolution Stainless Steel 4" Gooseneck Faucet
- Color Coded Waterline Connections
- Full Color P.O.P. Box
- Blue Hand & Nail Brush

MODEL	Included Faucet	Faucet Holes	Bowl Size	UNIT SIZE (l x w)
APHS-W1410-2B	N/A	2	14" x 10" x 5"	15 3/8" x 17"
APHS-W1410-1B	N/A	1	14" x 10" x 5"	15 3/8" x 17"
APHS-W1410-WBBE	EVO-4SM-4G	2	14" x 10" x 5"	15 3/8" x 17"
APHS-W1410-BE	EVO-4SM-4G	2	14" x 10" x 5"	15 3/8" x 17"
APHS-W1410-BPG	BKF-W-3G-G	2	14" x 10" x 5"	15 3/8" x 17"
APHS-W1410-1BSEF	BKF-SEF-3G	1	14" x 10" x 5"	15 3/8" x 17"



PRODUCT DATA SHEET

BK RESOURCES

